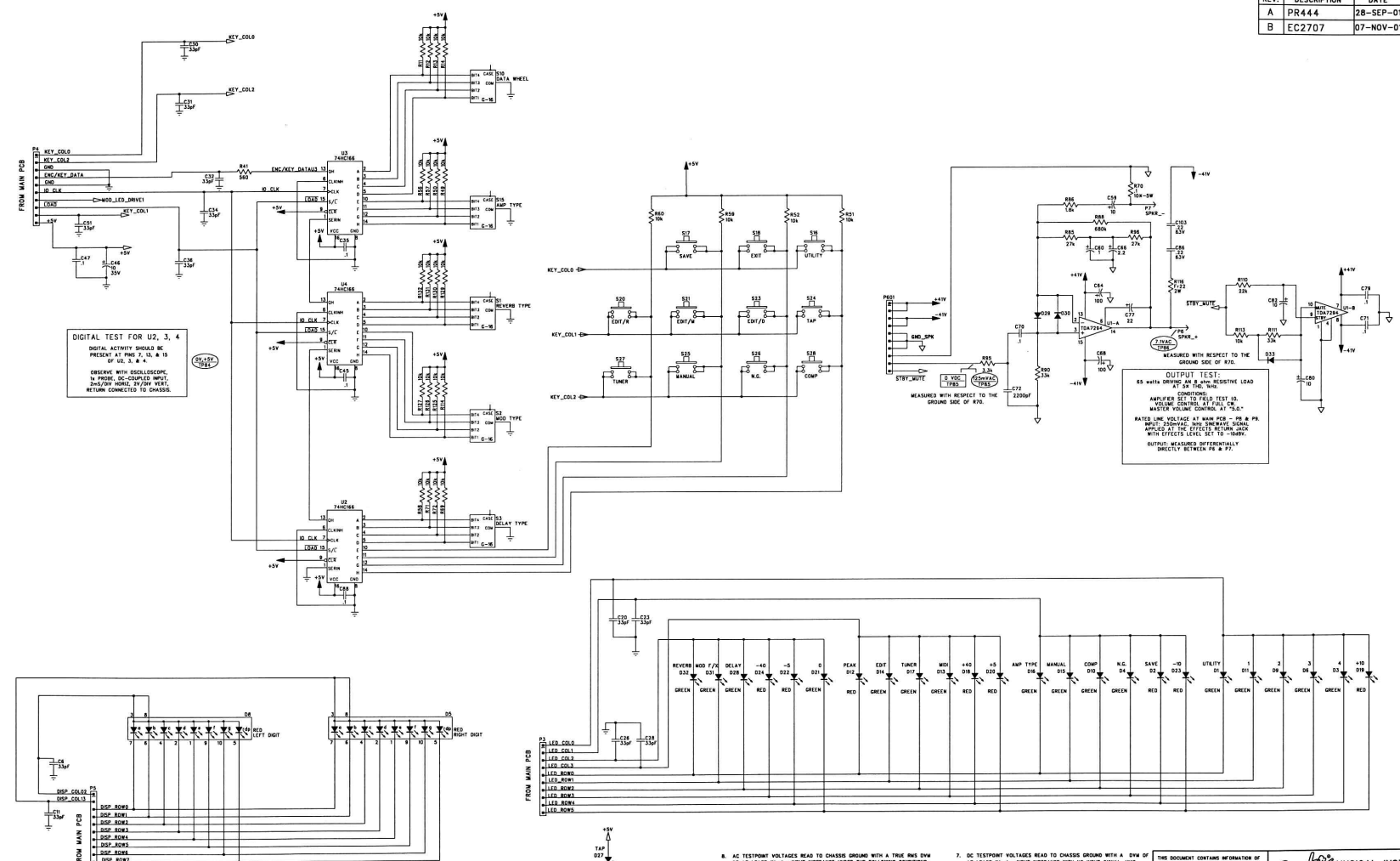


REVISIONS			
REV.	DESCRIPTION	DATE	APPROVED
A	PR444	28-SEP-01	S M W
B	EC2707	07-NOV-01	S M W



DIGITAL TEST FOR U2, 3, 4  
DIGITAL ACTIVITY SHOULD BE PRESENT AT PINS 7, 13, & 15 OF U2, 3 & 4.  
OBSERVE WITH OSCILLOSCOPE. IF PINS 16-COMPLD INPUT, 20-50V HORIZ, 5V/20V VERT. RETURN CONNECTED TO CHASSIS.

OUTPUT TEST:  
RS WITH DRIVING AN 8 OHM RESISTIVE LOAD AT 100 HZ. MEASUREMENTS MEASURED WITH RESPECT TO THE GROUND SIDE OF RES.  
CONDITIONS:  
AMP/FER SET TO FIELD TEST IS. VOLUME CONTROL FULL FOR MASTER VOLUME CONTROL. AT "0.0".  
RATED LINE VOLTAGE AT MAIN PWR - 100 ± 5%  
AMP/FER 200W/40V. SWIRLWAVE SIGNAL APPLIED AT THE TEST POINT JACK WITH EFFECTS LEVEL SET TO -20dBV.  
OUTPUT MEASURED DIFFERENTIALLY DIRECTLY BETWEEN P8 & P7.

8. AC TESTPOINT VOLTAGES READ TO CHASSIS GROUND WITH A TRUE RMS RMS OF AT LEAST 10 OHM INPUT IMPEDANCE UNDER THE FOLLOWING CONDITIONS:  
UNIT AT RATED LINE VOLTAGE.  
UNIT SET TO FIELD TEST "00" (SEE SNC DSG 000380000 FOR INSTRUCTIONS).  
TUNE CONTROL SET TO 100% NOTATION ("0").  
TUNE SWIRLWAVE SIGNAL APPLIED AT J1 (100% ON SNC DSG 000380000).  
8 OHM RESISTIVE LOAD CONNECTED TO POWER AMP PA & P7.  
FOOTSWITCH CONNECTED (ONLY TO TEST FOOTSWITCH OPERATION).  
NO HORN CABLES INSTALLED.  
NORMING PLUGGED INTO HEADPHONE JACK.  
ALL AC VOLTAGES ±1-20%.
7. DC TESTPOINT VOLTAGES READ TO CHASSIS GROUND WITH A 50K Ω OF AT LEAST 10 OHM INPUT IMPEDANCE WITH NO INPUT SIGNAL. UNIT SET TO FIELD TEST "00" AND RATED LINE VOLTAGE.  
ALL VOLTAGES ±1% ZOM.
6. SERVICE DIAGRAM 000380000 FOR FIELD TEST INSTRUCTIONS.
5. LAST REFERENCE DESIGNATOR: C503, J502, PAUL, R142, S402, D14, U202, U203.
4. THIS SCHEMATIC IS FOR PCB FABRICATOR P/N 000380000 AND PCB ASSEMBLY P/N 000380000.
3. ALL POLARIZED CAPACITORS IN μF, 50V; 50V MINIMUM.
2. ALL UNPOLARIZED CAPACITORS IN μF, 100V OR BETTER; 50V MINIMUM. (POWER SUPPLY BYPASS CAPACITORS ARE 25V).
1. ALL RESISTORS IN OHMS, ΩV, 1/4W.
- NOTES: (UNLESS OTHERWISE NOTED)

THIS DOCUMENT CONTAINS INFORMATION OF A PROPRIETARY NATURE IS PENDER MUSICAL INSTRUMENTS AND IS LOANED TO YOU IN CONFIDENCE AND SHALL NOT BE REPRODUCED, TRANSMITTED TO OTHERS WITHOUT AUTHORIZATION FROM PENDER MUSICAL INSTRUMENTS.

CHECKED BY: *[Signature]*  
DATE: 11/21/01

APPROVED BY: *[Signature]*  
DATE: 11/21/01

DRAWN BY: JANE [ENC: S M W]  
DATABASE FILE: 24452.SCH

Pender MUSICAL INSTRUMENTS  
Corona, CA USA

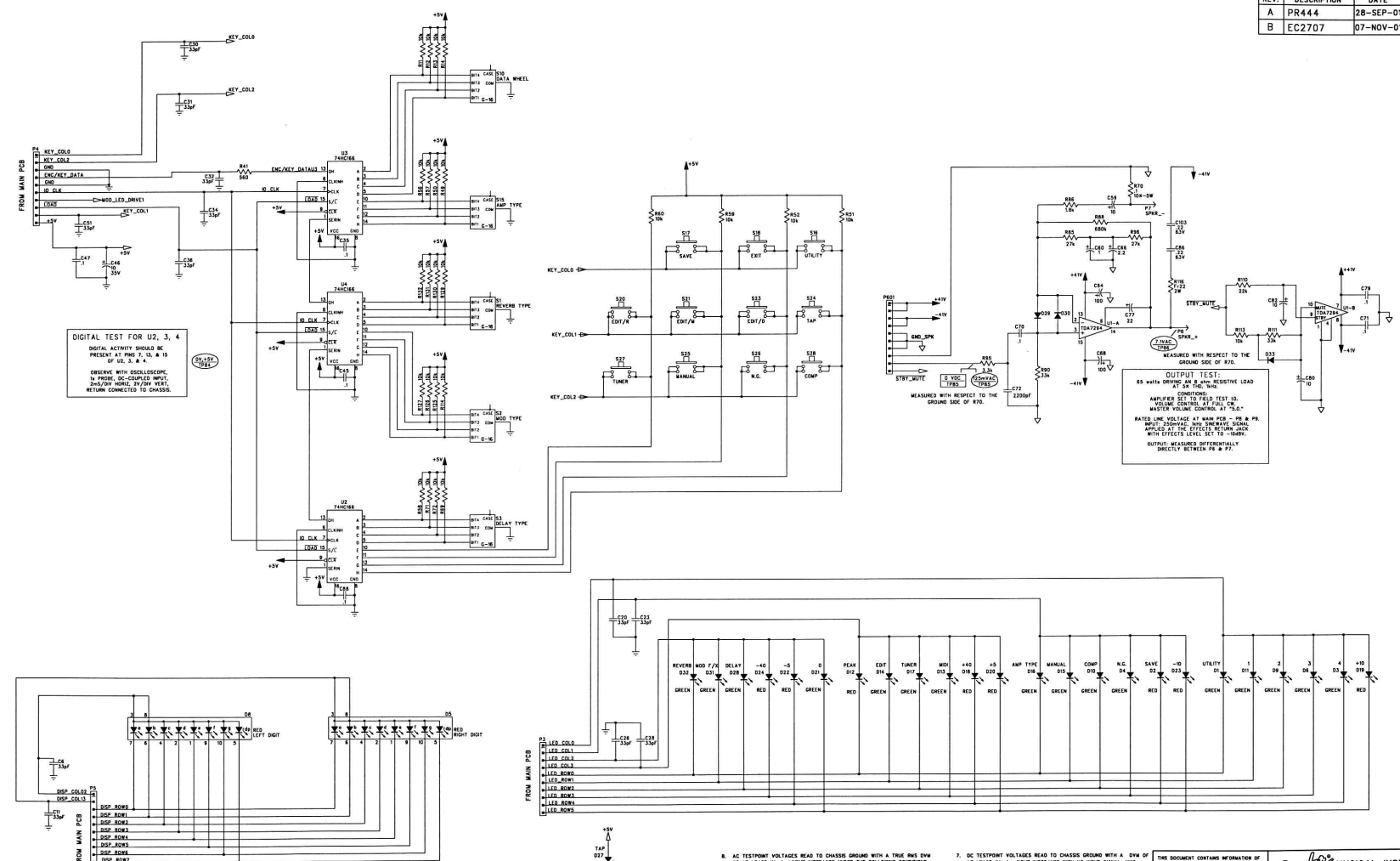
TITLE: SERVICE DIAGRAM, COMBINED (Mechanical)  
CYBER-DELUXE  
FB/SP/PA

SIZE: DRAWING NUMBER  
D 0056392000

REV. B

RELEASE DATE: 28-SEP-01 SHEET: 1 OF 3

REVISIONS			
REV.	DESCRIPTION	DATE	APPROVED
A	PR444	28-SEP-01	S M W
B	EC2707	07-NOV-01	S M W



DIGITAL TEST FOR U2, 3, 4  
DIGITAL ACTIVITY SHOULD BE PRESENT AT PINS 7, 13, & 15 OF U2, 3 & 4.  
OBSERVE WITH OSCILLOSCOPE. IF PINS ARE COMPLETED, 20V/20V VERT. RETURN CONNECTED TO CHASSIS.

OUTPUT TEST:  
RS WITH DRIVING AN 8 OHM RESISTIVE LOAD AT 120 HZ. MEASURED WITH RESPECT TO THE GROUND SIDE OF RS.  
CONDITIONS:  
AMP/FREQ SET TO FIELD TEST IS. VOLUME CONTROL FULL FOR MASTER VOLUME CONTROL. AT "0.0".  
RATED LINE VOLTAGE AT MAIN PWR = 120 V AC.  
AMP/FREQ 200W/400. SWIRLWAVE SIGNAL APPLIED AT THE TEST POINT JACK WITH EFFECTS LEVEL SET TO -20dBV.  
OUTPUT MEASURED DIFFERENTIALLY DIRECTLY BETWEEN FB & P7.

8. AC TESTPOINT VOLTAGES READ TO CHASSIS GROUND WITH A TRUE RMS RMS OF AT LEAST 10 OHM INPUT IMPEDANCE UNDER THE FOLLOWING CONDITIONS:  
UNIT AT RATED LINE VOLTAGE.  
UNIT SET TO FIELD TEST "00" (SEE SNC DSG 000380000 FOR INSTRUCTIONS).  
TUNE CONTROL SET TO 100K NOTATION ("K").  
TUNE SWIRLWAVE SIGNAL APPLIED AT J1 (170V ON SNC DSG 000380000).  
8 OHM RESISTIVE LOAD CONNECTED TO POWER AMP PA & P7.  
FOOTSWITCH CONNECTED (ONLY TO TEST FOOTSWITCH OPERATION).  
NO HORN CABLES INSTALLED.  
NORMING PLUGGED INTO HEADPHONE JACK.  
ALL AC VOLTAGES +/- 20%.
7. DC TESTPOINT VOLTAGES READ TO CHASSIS GROUND WITH A 50K OHM OF AT LEAST 10 OHM INPUT IMPEDANCE WITH NO INPUT SIGNAL. UNIT SET TO FIELD TEST "00" AND RATED LINE VOLTAGE.  
ALL VOLTAGES +/- 20%.
6. SERVICE DIAGRAM 000380000 FOR FIELD TEST INSTRUCTIONS.
5. LAST REFERENCE DESIGNATOR: C503, J501, PAUL, R145, S402, D14, U201, U202.
4. THIS SCHEMATIC IS FOR PCB FABRICATOR #/M 000380000 AND PCB ASSEMBLY P/N 000380000.
3. ALL POLARIZED CAPACITORS IN U.F., 50V; 50V MINIMUM.  
2. ALL UNPOLARIZED CAPACITORS IN U.F., 50V OR BETTER; 50V MINIMUM.  
1. ALL RESISTORS IN OHMS, OH, K, M, OHM.
- NOTES: (UNLESS OTHERWISE NOTED)

THIS DOCUMENT CONTAINS INFORMATION OF A PROPRIETARY NATURE IS PENDER MUSICAL INSTRUMENTS AND IS LOANED TO YOU IN CONFIDENCE AND SHALL NOT BE REPRODUCED, TRANSMITTED TO OTHERS WITHOUT AUTHORIZATION FROM PENDER MUSICAL INSTRUMENTS.

CHECKED BY: *[Signature]*  
DATE: 11/21/01

APPROVED BY: *[Signature]*  
DATE: 11/21/01

DRAWN BY: JANE [MGR: S M W]  
DATABASE FILE: 24452.SCH

TITLE: SERVICE DIAGRAM, COMBINED (Mechanical)  
CYBER-DELUXE  
FB/SP/PA

Corona, CA USA

SIZE: DRAWING NUMBER  
D 0056392000 B

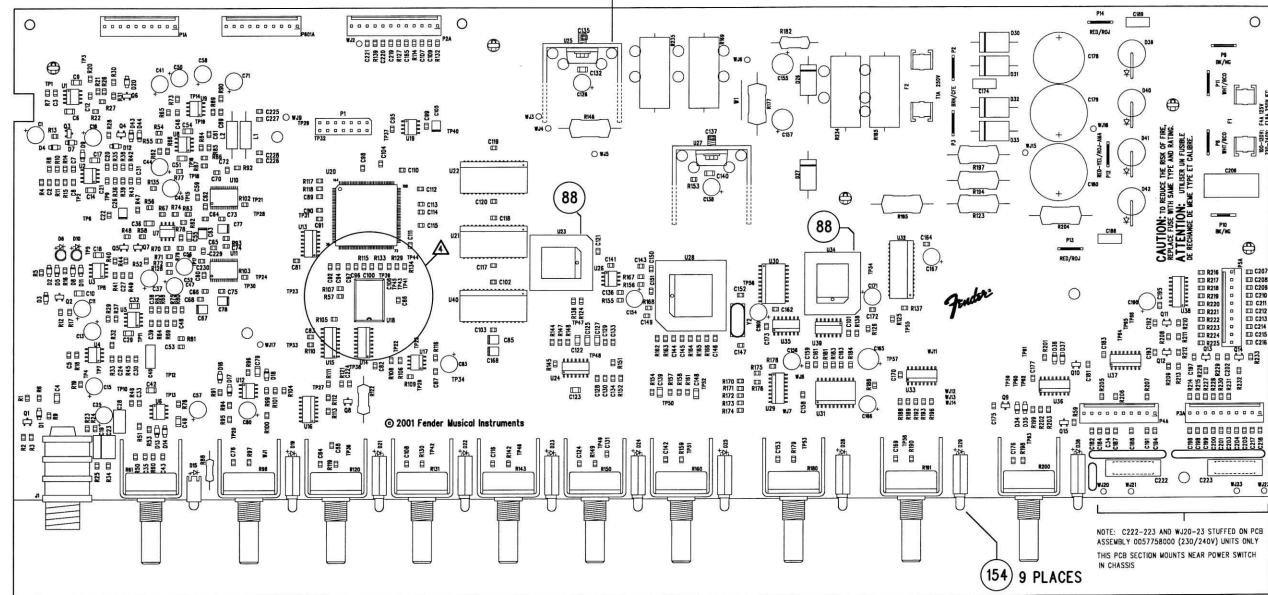
RELEASE DATE: 28-SEP-01 SHEET: 1 OF 3

8 7 6 5 4 3 2 1

REVISIONS			
REV.	DESCRIPTION	DATE	APPROVED
A	PR444	03-OCT-01	S M M
B	EC 2698	03-DEC-01	S M M

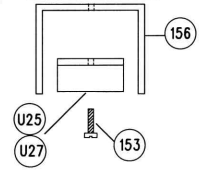
D  
C  
B  
A

SEE DETAIL A



FILM/DWG: PCB ASSEMBLY DRAWING  
DATABASE: Z444PLPCB DATE: 03-DEC-01

DETAIL A: 2 PLACES



- ▲ SPRAY 2 COATS OF CONFORMAL COATING, TECH-SPRAY FINE-L-NOTE AIR. ONTO DECONTAMINATED PCA TO COVER U18, C86 AND EDGE OF U20 NEAR C86. SLIGHT OVERSPRAY IS PERMISSIBLE IF NO SPRAY GETS INTO SOCKETS OF U23 AND U34 OR ONTO CONNECTORS P1A-P5A, & P80A. TO REDUCE CONTAMINATION, RINSE WATER WILL BE CHANGED PRIOR TO MAKING A PRODUCTION RUN OF THIS PCA.
  - 3. NOT STUFFED: C53, R136-137, C222-223. WIRESET MAIN PCB EMI CYBER-DELUXE.
  - 2. USE RTV SILICONE RUBBER COMPOUND TO ADHERE C178-180 TOGETHER.
  - 1. SEE SHEETS 2 THROUGH 6 FOR B.O.M.
- NOTES: (UNLESS OTHERWISE NOTED)

<p>THIS DOCUMENT CONTAINS INFORMATION OF A PROPRIETARY NATURE TO FENDER MUSICAL INSTRUMENTS AND IS SUBMITTED TO YOU IN CONFIDENCE AND SHALL NOT BE REPRODUCED OR TRANSMITTED TO OTHERS WITHOUT AUTHORIZATION FROM FENDER MUSICAL INSTRUMENTS.</p>		<p><b>Fender</b> MUSICAL INSTRUMENTS Corona, CA U.S.A.</p>	
<p>CHECKED BY: <i>[Signature]</i> DATE: 12 DEC 01</p>	<p>TITLE: PCB ASSEMBLY, CYBER-DELUXE MAIN PCB-120/100V</p>		
<p>APPROVED BY: <i>[Signature]</i> DATE: 11 Dec 01</p>	<p>SIZE: C</p>	<p>DRAWING NUMBER: 0056388000</p>	<p>REV. B</p>
<p>DRAWN: SH/HJ/JJ ENGR: S M M DATABASE FILE: Z444PLPCB</p>	<p>RELEASE DATE: 03-01-01</p>	<p>SHEET 1</p>	<p>OF 6</p>

8 7 6 5 4 3 2 1

THIS DOCUMENT CONTAINS INFORMATION OF A PROPRIETARY NATURE TO FENDER MUSICAL INSTRUMENTS AND IS LOANED TO YOU IN CONFIDENCE AND SHALL NOT BE DISCLOSED OR TRANSMITTED TO OTHERS WITHOUT AUTHORIZATION FROM FENDER MUSICAL INSTRUMENTS CORP.

REV	DATE	BY	REASON
A	06/28/01	RB	02/22/2001
B	12/01/02	RB	1/23/2002

TABLE 1 - RIBBON CABLE INTERCONNECT

ITEM	FROM			TO			NUMBERS OF RIBBON CABLE CIRCUITS
	GENDER	DESCRIPTION (ITEM 17)	CONNECTOR NO.	GENDER	DESCRIPTION (ITEM 15)	CONNECTOR NO.	
A	FEMALE	REAR PANEL PCB	P1	MALE	MAIN PCB	P1A	10
B	FEMALE	REAR PANEL PCB	P2	MALE	MAIN PCB	P2A	12
C	FEMALE	POWER AMP PCB	P601	MALE	MAIN PCB	P601A	10
D	FEMALE	FRONT PANEL PCB	P3	MALE	MAIN PCB	P3A	10
E	FEMALE	FRONT PANEL PCB	P4	MALE	MAIN PCB	P4A	10
F	FEMALE	FRONT PANEL PCB	P5	MALE	MAIN PCB	P5A	10

TABLE 2 - TRANSFORMER INTERCONNECT

ITEM	FROM	TO
	TRANSFORMER WIRE (ITEM 6)	MAIN PCB (ITEM 15)
A	WHITE	P11
B	BLACK	P10
C	RED	P14
D	RED	P13
E	RED/YELLOW	P12
F	BROWN	P3
G	BROWN	P2

TABLE 4A - 230V/240V CHASSIS WIRE SET INTERCONNECT  
REF: DRAWING NO. 0057760000

ITEM	COLOR	LENGTH	FROM	TO
A	GRN/YEL	5"	IEC (GND)	CHS GND
B	BLK/WHT TWPR	15"	WHT: POWER AMP P6 BLK: POWER AMP P7	WHT: SPKR (+) BLK: SPKR (-)
C	BLK	10"	MAIN PCB P9	SW (HOT)
D	WHT	10"	MAIN PCB P8	SW (NTRL)

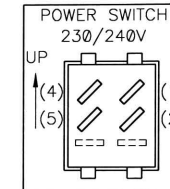
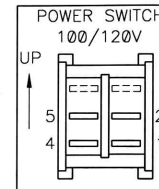
TABLE 4B - EMI PCB WIRE SET INTERCONNECT  
REF: DRAWING NO. 0057759000

ITEM	COLOR	LENGTH	FROM	TO
A	BLK	3"	EMI PCB-WJ20	IEC (HOT)
B	WHT	3"	EMI PCB-WJ22	IEC (NTRL)
C	BLK	4"+FERRITE	EMI PCB-WJ21	SW (HOT)
D	WHT	4"+FERRITE	EMI PCB-WJ23	SW (NTRL)

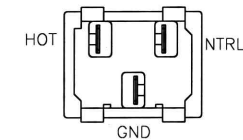
TABLE 3 - 120V/100V CHASSIS WIRE SET INTERCONNECT  
REF: DRAWING NO. 0056395000

ITEM	COLOR	LENGTH	FROM	TO
A	GRN/YEL	5"	IEC (GND)	CHS GND
B	BLK	4"	IEC (HOT)	SW (HOT)
C	BLK/WHT TWPR	15"	WHT: POWER AMP P6 BLK: POWER AMP P7	WHT: SPKR (+) BLK: SPKR (-)
D	BLK	10"	MAIN PCB P9	SW (HOT)
E	WHT	10"	MAIN PCB P8	SW (NTRL)
F	WHT	4"	IEC (NTRL)	SW (NTRL)

- COPYRIGHT - 2002 - FENDER MUSICAL INSTRUMENTS CORP.
  - 3 - SAMPLES OF FIRST PARTS MUST BE APPROVED BY FENDER R&D BEFORE STARTING PRODUCTION.
  - ALL DIMENSIONS ARE IN INCHES.
  - DO NOT SCALE DRAWING.
- NOTES: UNLESS OTHERWISE NOTED



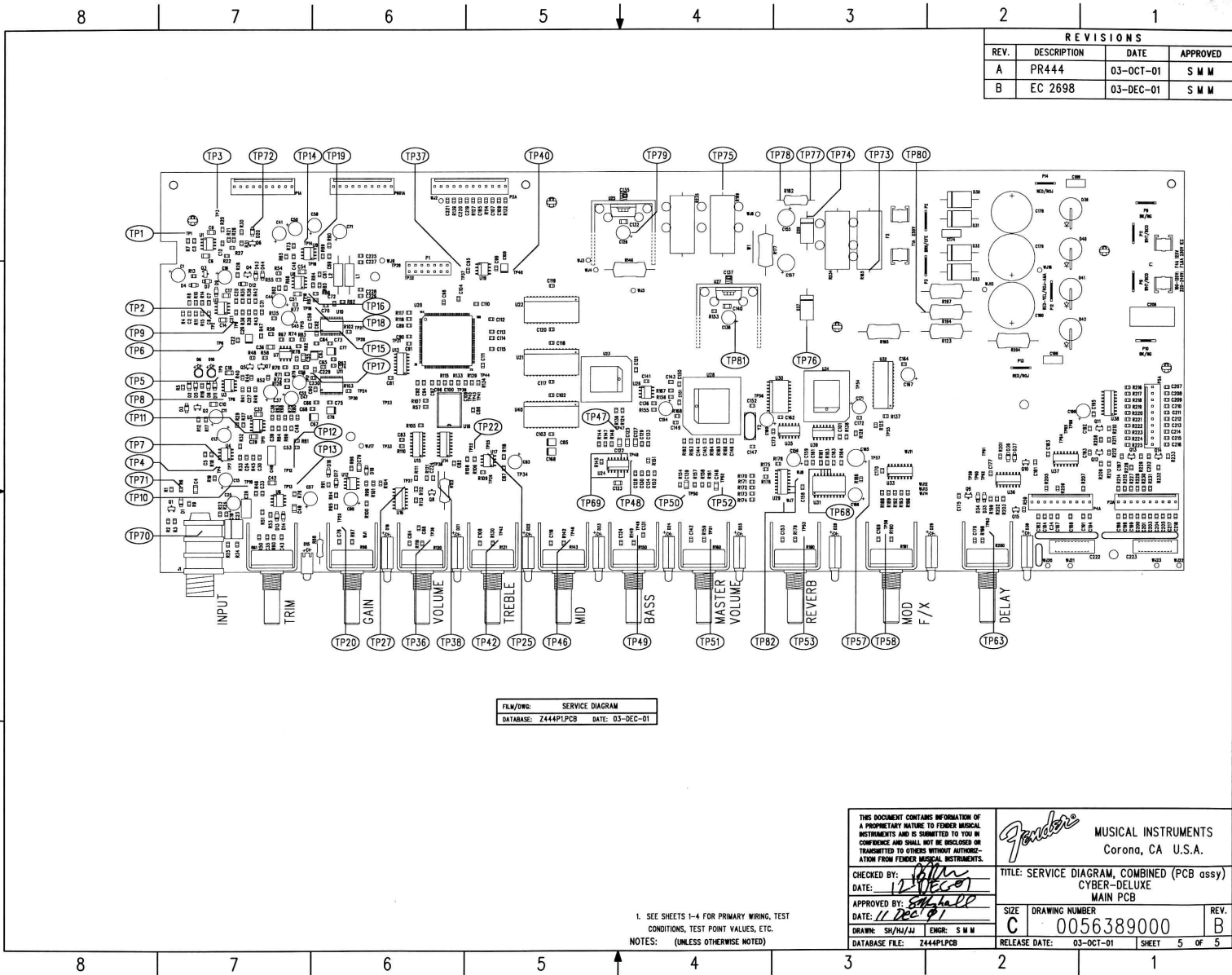
REAR VIEW OF ITEM 2 (POWERSWITCH)  
SW (HOT) IS LEFT SIDE  
SW (NTRL) IS RIGHT SIDE  
SEE MATRIX ON SHEET 1



IEC SNAP-IN GRAPHIC  
ITEM NO. 21 0057759000  
REAR VIEW


ENGINEER MARSHALL		FENDER MUSICAL INSTRUMENTS CORP. CORONA, CALIFORNIA U.S.A.	
DRAWN SANDBERG			
DATE 12/01/2000	TITLE CHASSIS ASSEMBLY CYBER-DELUXE	SHEET 2of2	REV. B
DATE ENG. DATE 1-14-01	SCALE N/A	DRAWING NUMBER 0056379000	
APPROVED DATE 27 Jan 02			

8 7 6 5 4 3 2 1



REVISIONS			
REV.	DESCRIPTION	DATE	APPROVED
A	PR444	03-OCT-01	S M M
B	EC 2698	03-DEC-01	S M M

FILM/DRG: SERVICE DIAGRAM  
 DATABASE: Z444PLPCB DATE: 03-DEC-01

THIS DOCUMENT CONTAINS INFORMATION OF A PROPRIETARY NATURE TO FENDER MUSICAL INSTRUMENTS AND IS SUBMITTED TO YOU IN CONFIDENCE AND SHALL NOT BE REPRODUCED OR TRANSMITTED TO OTHERS WITHOUT AUTHORIZATION FROM FENDER MUSICAL INSTRUMENTS.		 MUSICAL INSTRUMENTS Corona, CA U.S.A.	
CHECKED BY: <i>[Signature]</i> DATE: <i>12 DEC 01</i>		TITLE: SERVICE DIAGRAM, COMBINED (PCB assy) CYBER-DELUXE MAIN PCB	
APPROVED BY: <i>[Signature]</i> DATE: <i>11 DEC 01</i>		SIZE: C	DRAWING NUMBER: 0056389000
DRAWN: SH/AJ/AL ENGR: S M M DATABASE FILE: Z444PLPCB		RELEASE DATE: 03-OCT-01	REV. B SHEET 5 OF 5

1. SEE SHEETS 1-4 FOR PRIMARY WIRING, TEST CONDITIONS, TEST POINT VALUES, ETC.  
 NOTES: (UNLESS OTHERWISE NOTED)